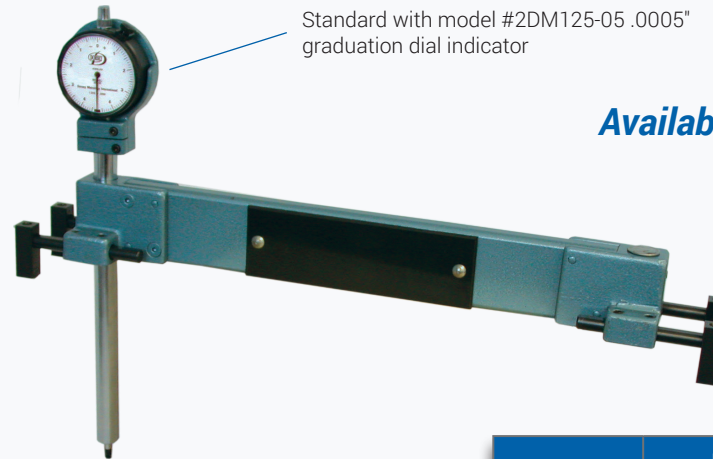




See page 69 for optional frame configurations used to clear obstructions



Standard with model #2DM125-05 .0005" graduation dial indicator

Available in Carbon Fiber

Dorsey DDG style Depth or Height gages are used to measure distances from one surface to another or from one surface to a machine/tool fixture. They are generally designed for a specific application. Depth units can be lever transfer type or direct reading. Gaging travel resolutions are per application requirements.

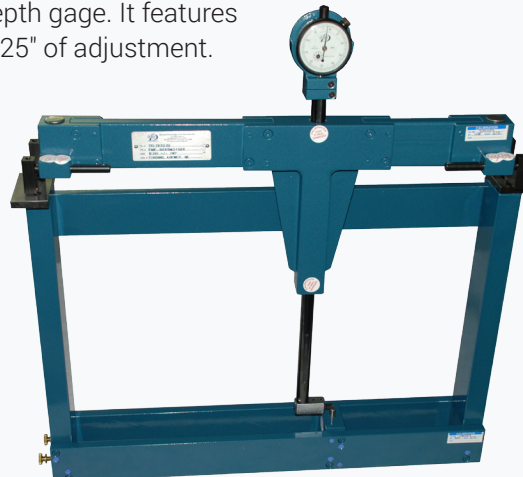
Please supply Dorsey with part print for quoting. Requires design charge and design approval.

PART #	INCH	METRIC (mm)
	RANGE	RANGE
DDG-12	6 to 12	150 to 300
DDG-18	12 to 18	301 to 460
DDG-24	18 to 24	461 to 610
DDG-30	24 to 30	611 to 760
DDG-36	30 to 36	761 to 915
DDG-42	36 to 42	916 to 1070
DDG-48	42 to 48	1071 to 1220
DDG-54	48 to 54	1221 to 1370
DDG-60	54 to 60	1371 to 1525

DDGM SETMASTER

The DDGM setmaster is the companion to the DDG series depth gage. It features solid steel precision ground base, hardened rest plates, and .25" of adjustment.

MODEL #	DIAMETER RANGE
DDGM-12	0 to 12
DDGM-18	12 to 18
DDGM-24	18 to 24
DDGM-30	24 to 30
DDGM-36	30 to 36
DDGM-42	36 to 42
DDGM-48	42 to 48
DDGM-54	48 to 54
DDGM-60	54 to 60



Optional perpendicular indicator unit

