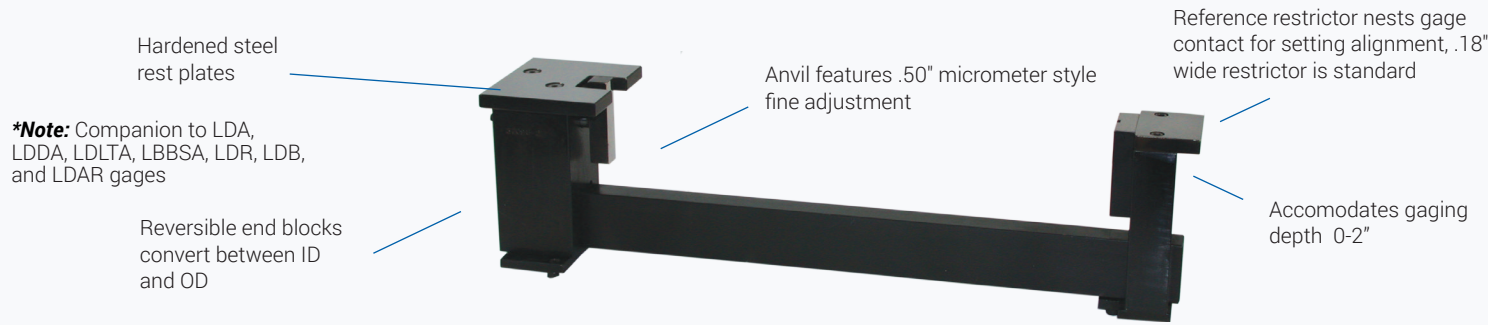


SMA SERIES - ADJUSTABLE DIAMETER

SMA Series setmasters feature a precision ground steel rail as the rigid foundation for adjustability. These masters can be continuously reset for various dimensions or they can be set, sealed, and pinned to a specific size.



***Note:** Companion to LDA, LDDA, LDLTA, LBBSA, LDR, LDB, and LDAR gages

MODEL #	RANGE
SMA-12	6 to 12
SMA-18	12 to 18
SMA-24	18 to 24
SMA-30	24 to 30
SMA-36	30 to 36
SMA-42	36 to 42
SMA-48	42 to 48
SMA-54	48 to 54
SMA-60	54 to 60

- ✔ Optional restrictors:
 - For .253" wide restrictor, add "-R25" to part # (Used with LDR or other gages with .25" contacts).
 - For .628" wide restrictor, add "-R62" to part # (Used with LDAR, LDB, or other gages with .62" contacts).
- ✔ Certification of Conformance available.

SMRA SERIES SETMASTER

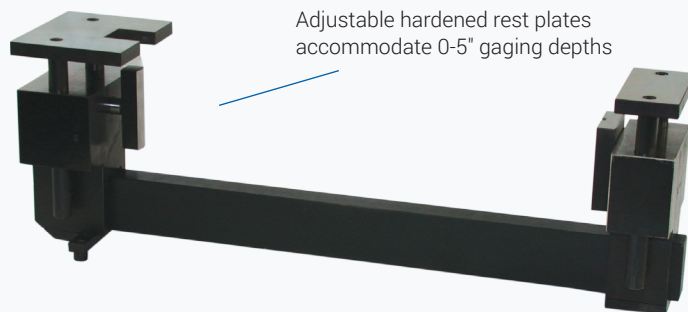


This setmaster has the same features and capabilities as the SMA but accommodates 4-12" of overall diameter and 0-1" depth adjustment to accommodate LDRA series gages.

MODEL #	INCH	METRIC (mm)
	RANGE	RANGE
SMRA-4-12	4 to 12	100 to 300

SMVA SERIES- ADJUSTABLE DIAMETER/DEPTH

SMVA setmasters offer the same features as the SMA Series setmasters except that they allow for vertical adjustment to accommodate various gaging depths.



MODEL #	RANGE
SMVA-12	6 to 12
SMVA-18	12 to 18
SMVA-24	18 to 24
SMVA-30	24 to 30
SMVA-36	30 to 36
SMVA-42	36 to 42
SMVA-48	42 to 48
SMVA-54	48 to 54
SMVA-60	54 to 60

***Note:** Companion to LDVA or other adjustable gages with gaging depths between 0-5". Both SMA and SMVA Series are available with storage case.